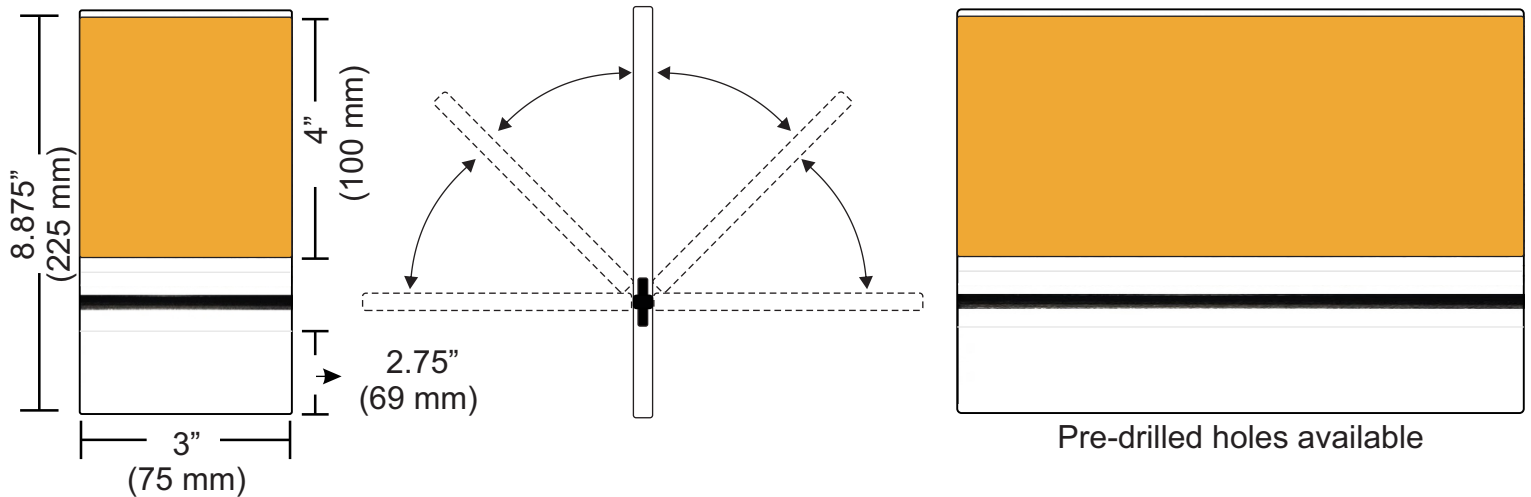


Flex-Straight (FS) Guardrail Marker



The Artuk **FLEX-STRAIGHT (FS)** body will retain its original shape after being hit repeatedly.

The marker body is made of rigid PVC with co-extruded 80 durometer polyurethane acting as a working hinge.

The hinge material recesses into the mid sections of the **Flex-Straight**. This allows the PVC to grab onto the polyurethane and ensures the bond between the hinge and body is never broken.

The **Flex-Straight** can meet ANY reflectivity level required by Federal, State, Local and International municipalities.

Part

FS_x-1 Single Sided Sheeting
FS_x-2 Double Sided Sheeting
x = Width (in)

ASTM D-4956 Reflectivity Level

Type I, III/IV, VIII, IX & XI

Colors:

White, Yellow, Orange, Blue, Green,
Red, Brown, Fluorescent Yellow,
Fluorescent Yellow-Green,
Fluorescent Orange

FLEX-STRAIGHT (FS) Delineators may be mounted directly to wooden or metal guardrail support posts.