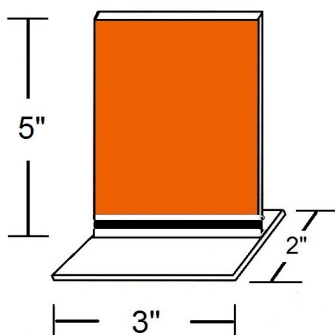
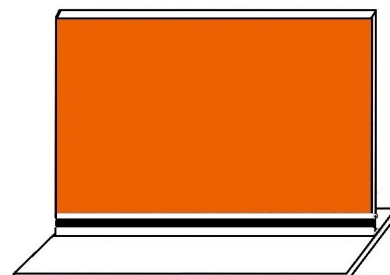


## FLEX-TAB (FT) BARRIER MARKERS

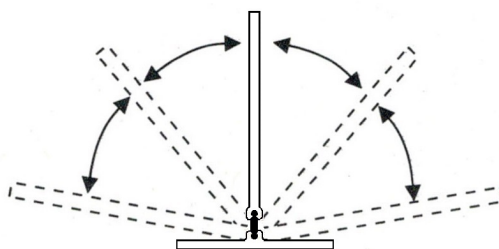


FT<sub>x</sub>-1 single sided  
 FT<sub>x</sub>-2 double sided  
 x = Width (in)



CUSTOM WIDTHS AVAILABLE

The **Flex-Tab** body will retain its original shape after being hit repeatedly. The marker body is made of rigid PVC with co-extruded 80 durometer polyurethane acting as a working hinge.



**Flex-Tab** Markers shall meet the minimum specific intensity requirements as follows

### Reflective Sheeting Available

ASTM D-4956 Spec	Traffic/Work Zone Colors
III/IV	White, Yellow, Blue, Green, Red, Brown
VIII	White, Yellow, Blue, Green, Red, Fluorescent Yellow, Fluorescent Yellow/Green, Fluorescent Orange
IX	White, Yellow, Blue, Green, Red, Fluorescent Yellow, Fluorescent Yellow/Green, Fluorescent Orange
XI	White, Yellow, Blue, Green, Red, Brown, Fluorescent Yellow, Fluorescent Yellow/Green, Fluorescent Orange

Application Rate: 50 Units/Tube of Adhesive Cement